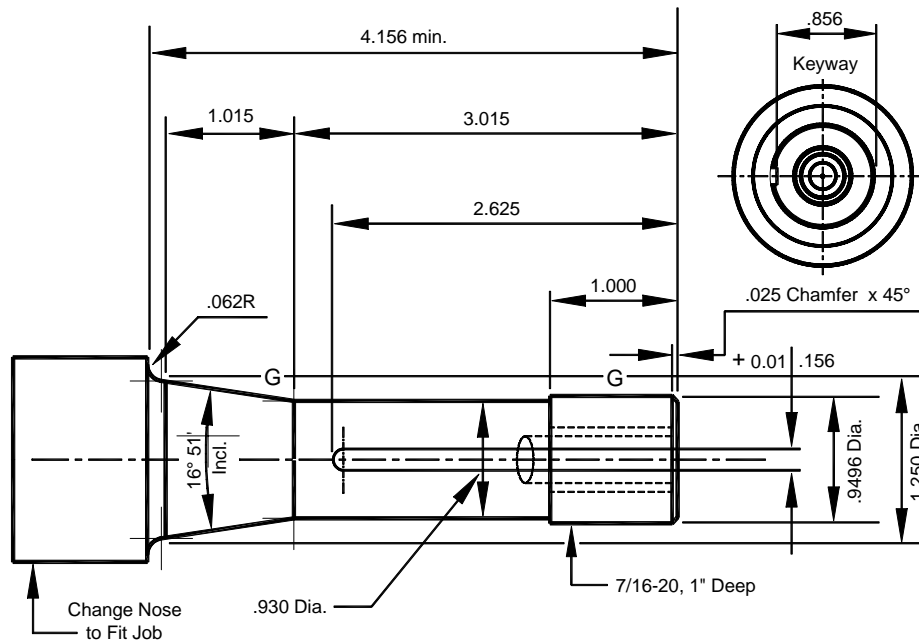
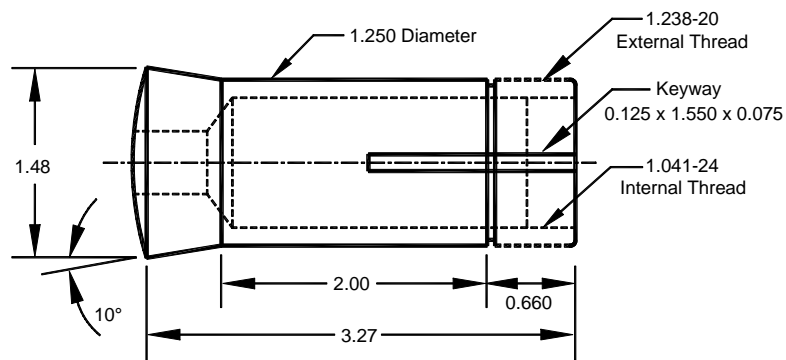


# R8 & 5C Collet Dimensions



R8 Collet Used in Bridgeport-style Milling Machines



5C Collet Used in Many Lathes & Indexing Fixtures

All Dimensions in Inches