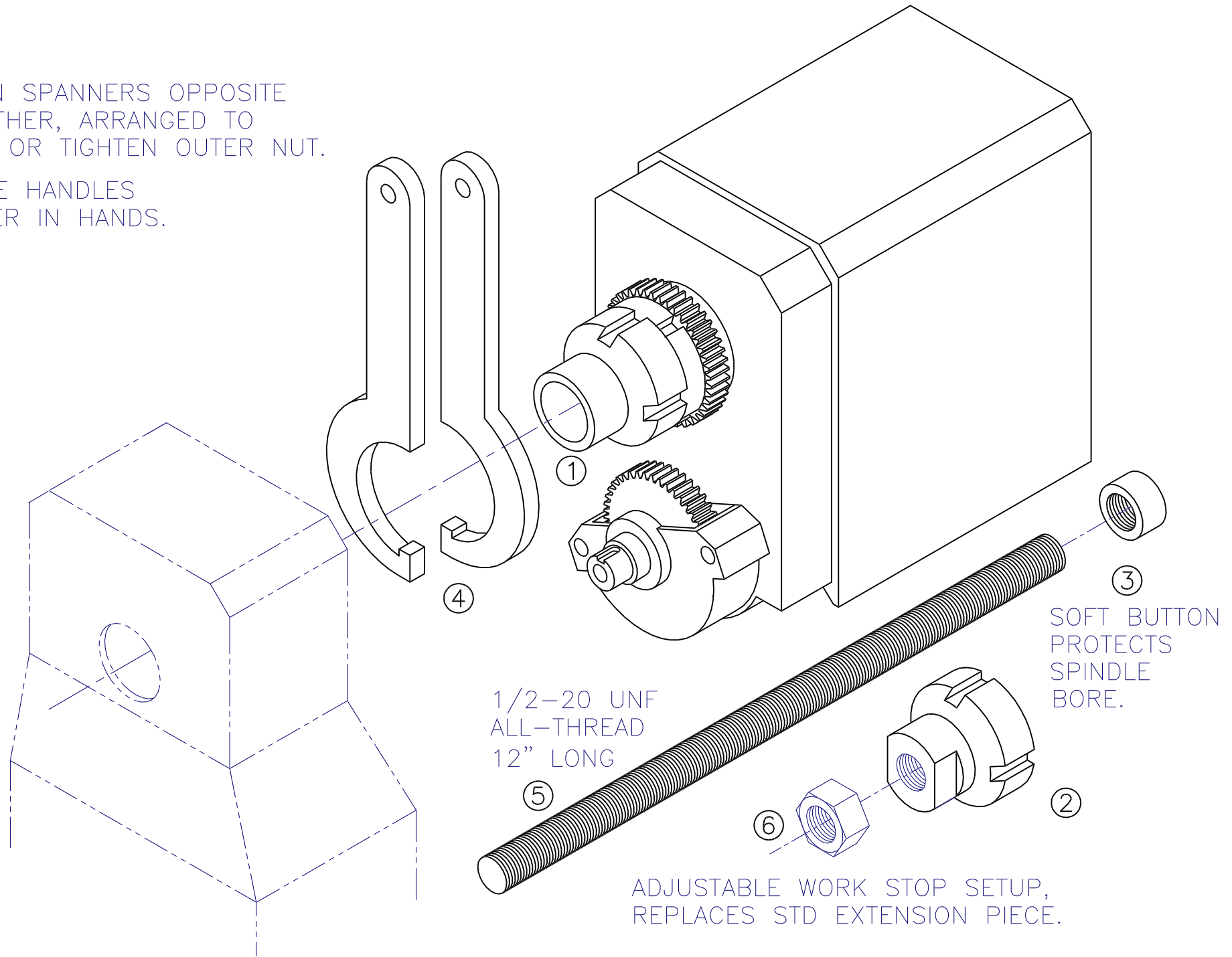
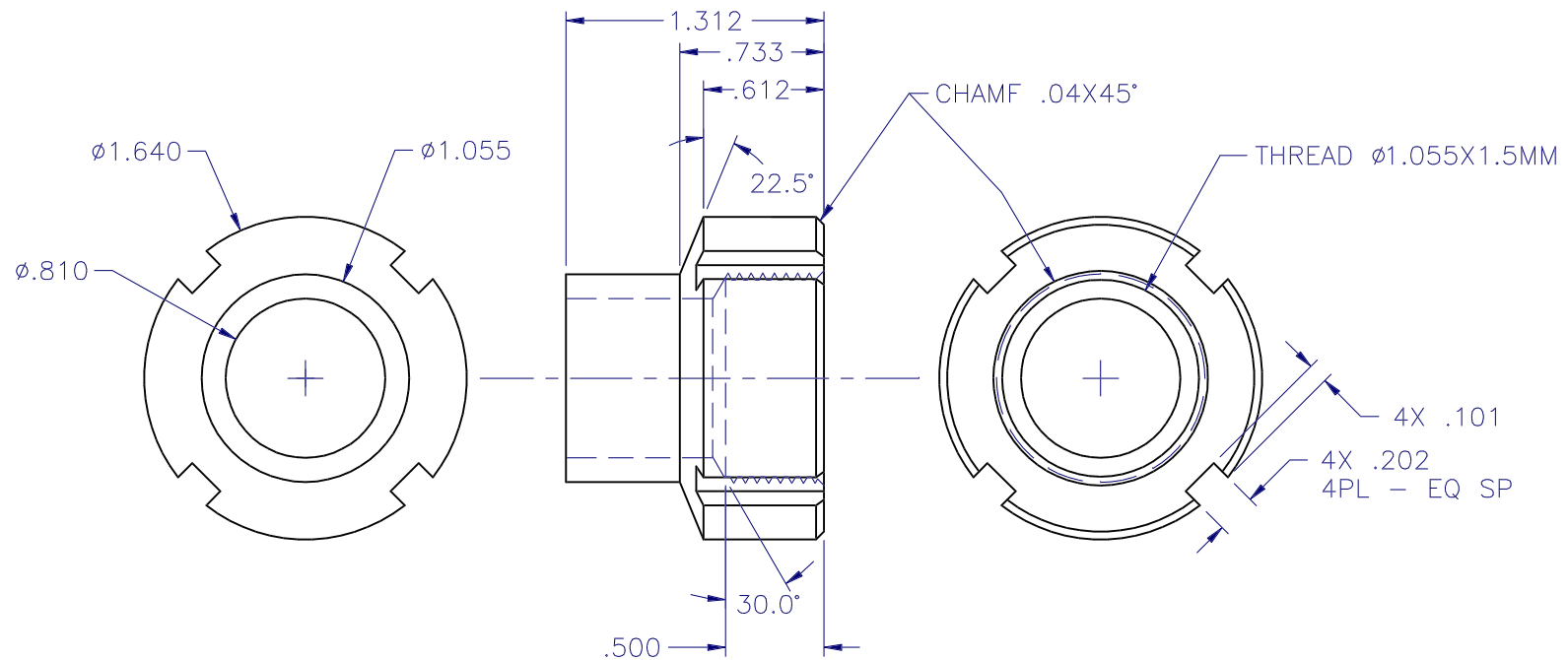


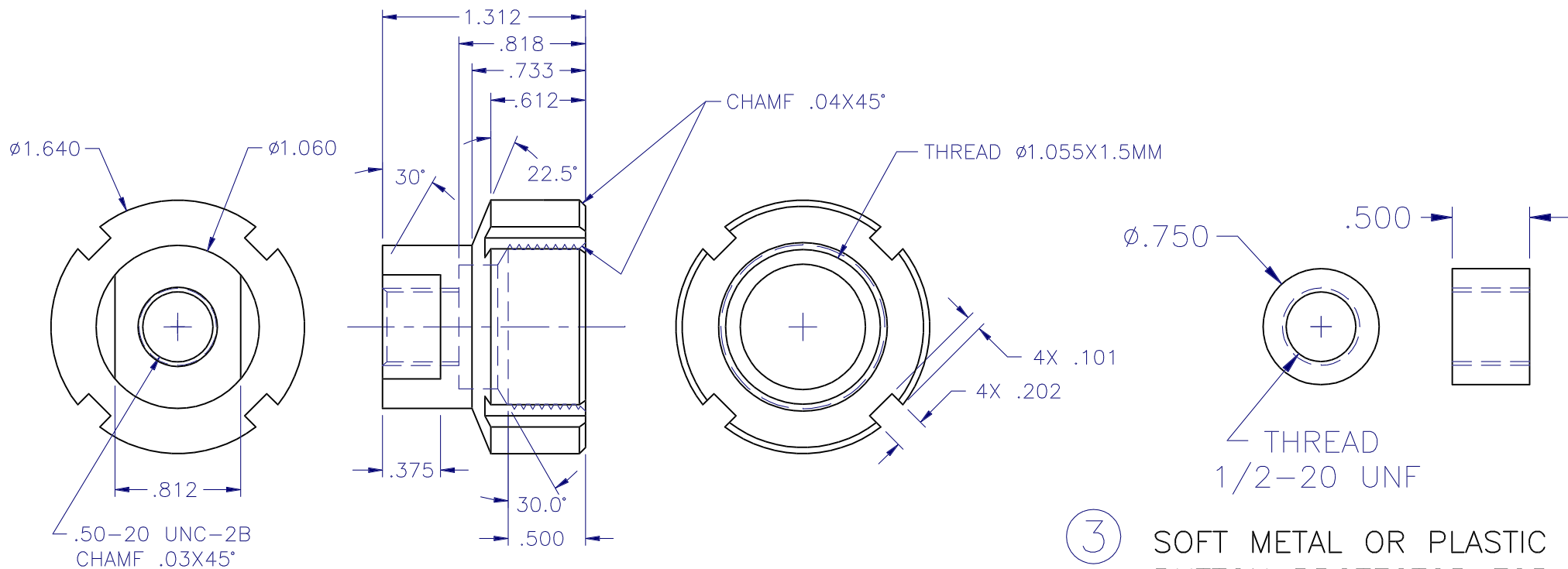
POSITION SPANNERS OPPOSITE
EACH OTHER, ARRANGED TO
LOOSEN OR TIGHTEN OUTER NUT.

SQUEEZE HANDLES
TOGETHER IN HANDS.



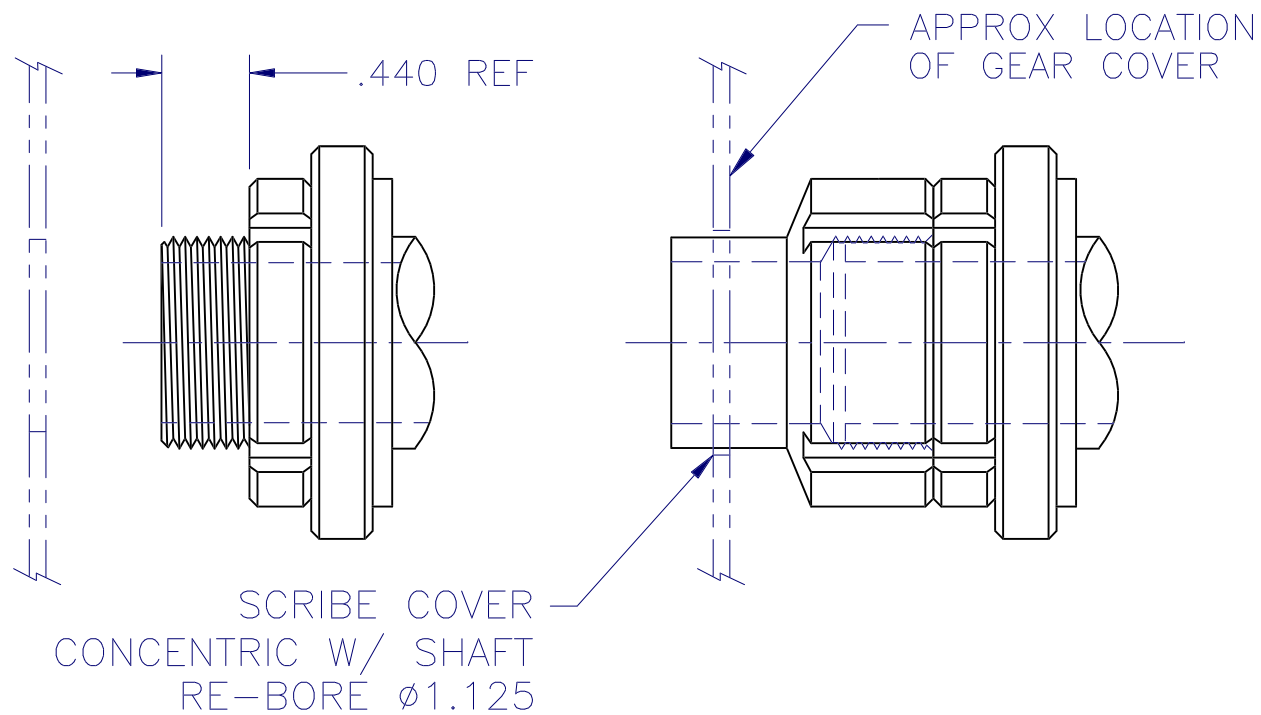


① 7X10 MINILATHE
 HEADSTOCK ARBOR
 REPLACEMENT LOCKNUT/EXTENSION



② 7X10 MINILATHE
 HEADSTOCK ARBOR
 ADJUSTABLE STOP – LOCKNUT/EXTENSION

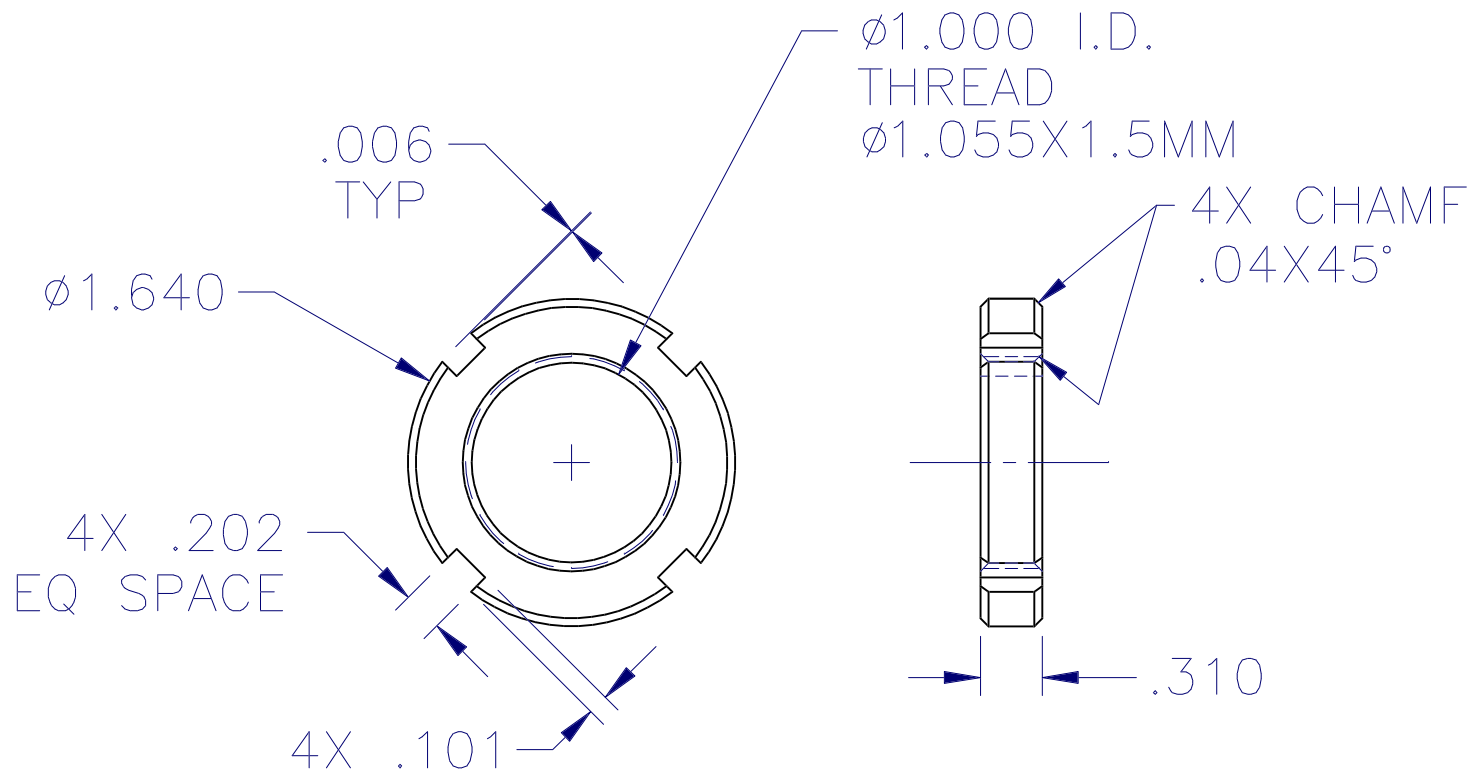
③ SOFT METAL OR PLASTIC
 BUTTON PROTECTOR FOR
 SPINDLE BORE
 MAKE 1



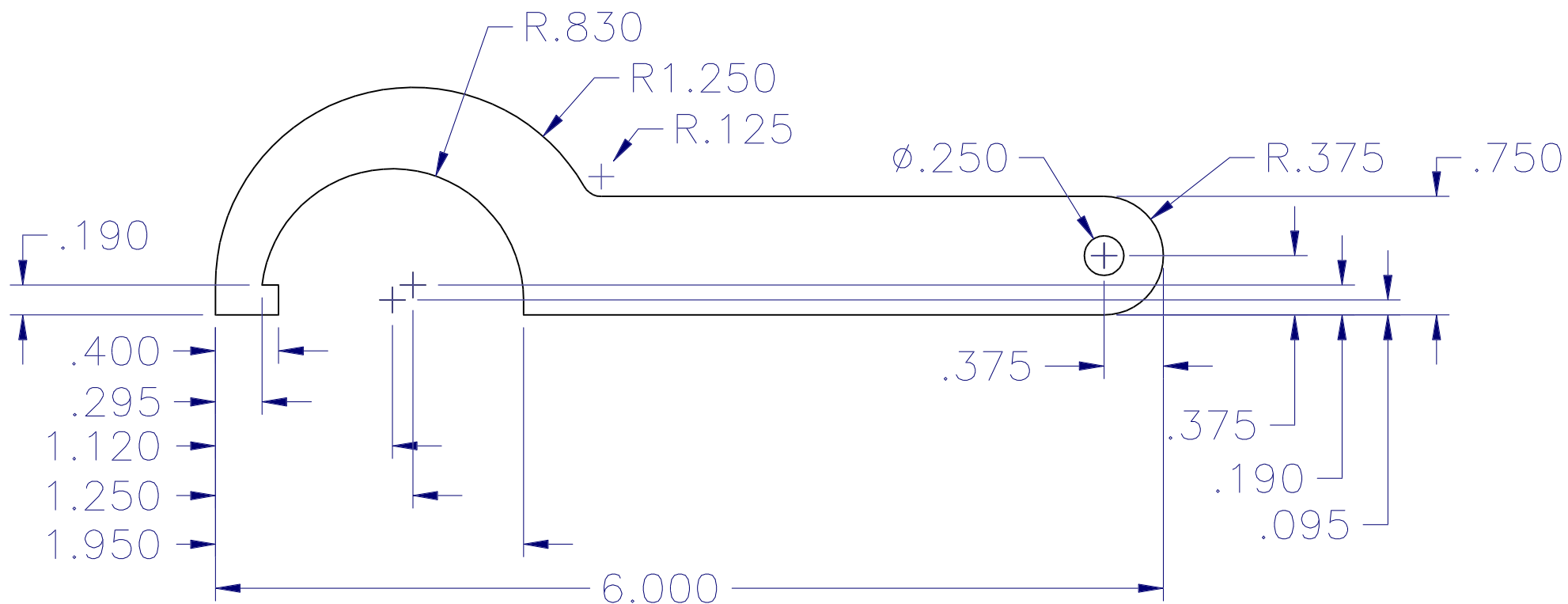
ONE LOCKNUT REMOVED

EXTENSION INSTALLED

ARBOR CONFIGURATION



7X10 MINILATHE
 HEADSTOCK STANDARD ARBOR LOCKNUT
 MEASURED DWG - 2 USED



④

DETAIL — HOOK SPANNER

(FOR 7X** MINILATHE SPINDLE NUTS)

MAT'L: MILD STEEL FLAT BAR 1/8" TO 1/4" X 1-1/2 X 6"

REQUIRED — 2

NOTES:

THE ARBOR EXTENSION REPLACES 1 EXISTING SPINDLE LOCKNUT.
END PROJECTION WILL PASS THROUGH THE CHANGE-GEAR COVER, DIRECTING CHIPS OUTSIDE.

ONE SPANNER TOOL IS REQUIRED FOR EACH NUT, TO LOOSEN OR TIGHTEN.
HOLE IN COVER IS ENLARGED TO GIVE CLEARANCE FOR ROATATION.

TO MAKE THE HOLE ENLARGEMENT:

- A. INSERT A CLOSE-FITTING ROUND BAR INTO SPINDLE OPENING
- B. THEN TRACE AN OFFSET OUTLINE ONTO COVER
- C. THE NEW OPENING IS EASILY CUT WITH A FORSTNER BIT

THE WORKSTOP ASSEMBLY REPLACES THE EXTENSION PIECE.
BUTTON ON THE END OF THE STOP BAR PROTECTS INSIDE OF SPINDLE.

UPGRADE HINT:

MAKE A MICROMETER-GRADUATED KNOB (50 GRADS) FOR THE OUTBOARD END OF THE ADJUSTABLE
ROD TO SIMPLIFY ADJUSTMENT TO A DIMENSION. (NOT ILLUSTRATED)

DIMENSIONS ARE IN INCHES, UNLESS CALLED OUT OTHERWISE.

TOLERANCES:

.XXX \pm .005

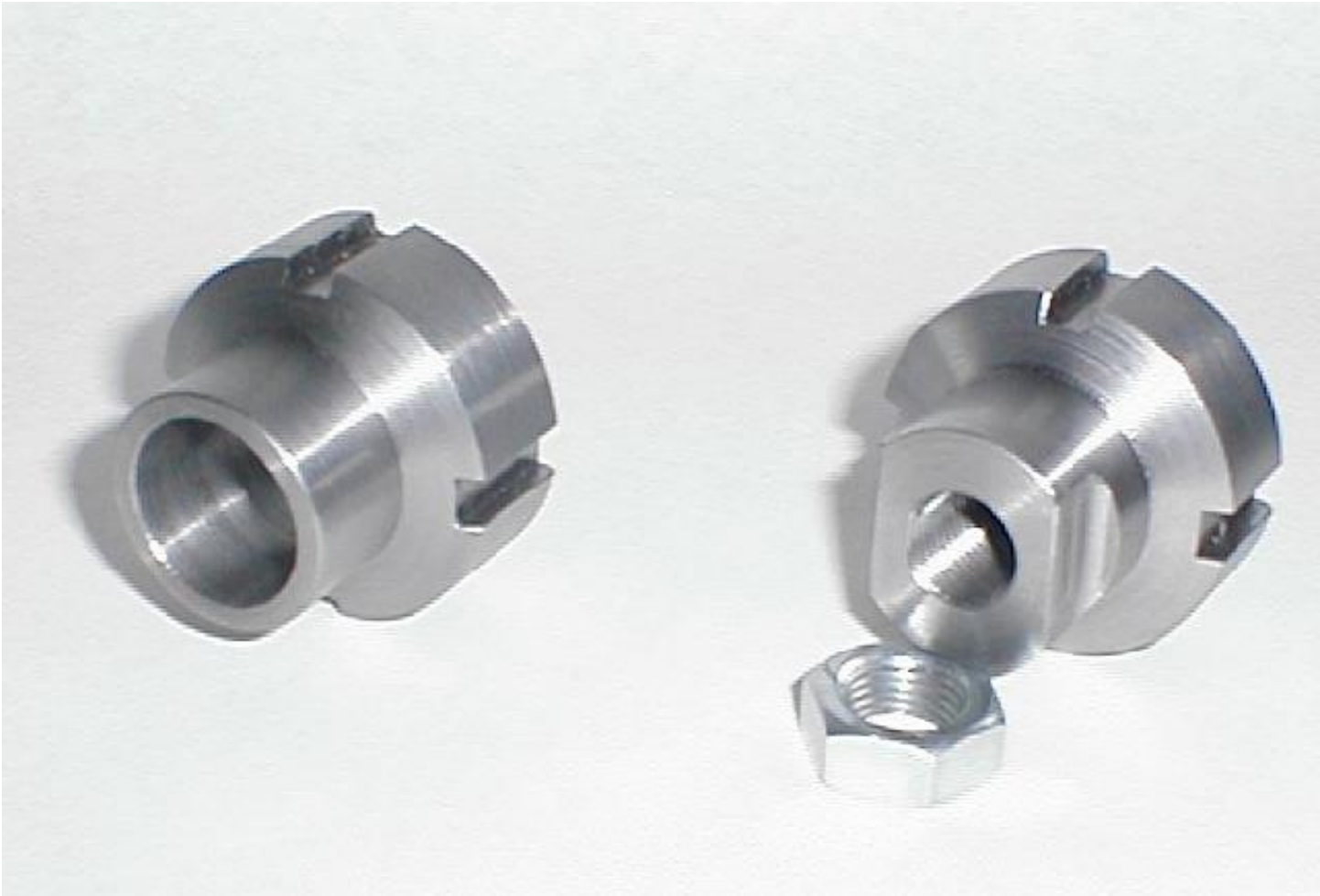
.XX \pm .010

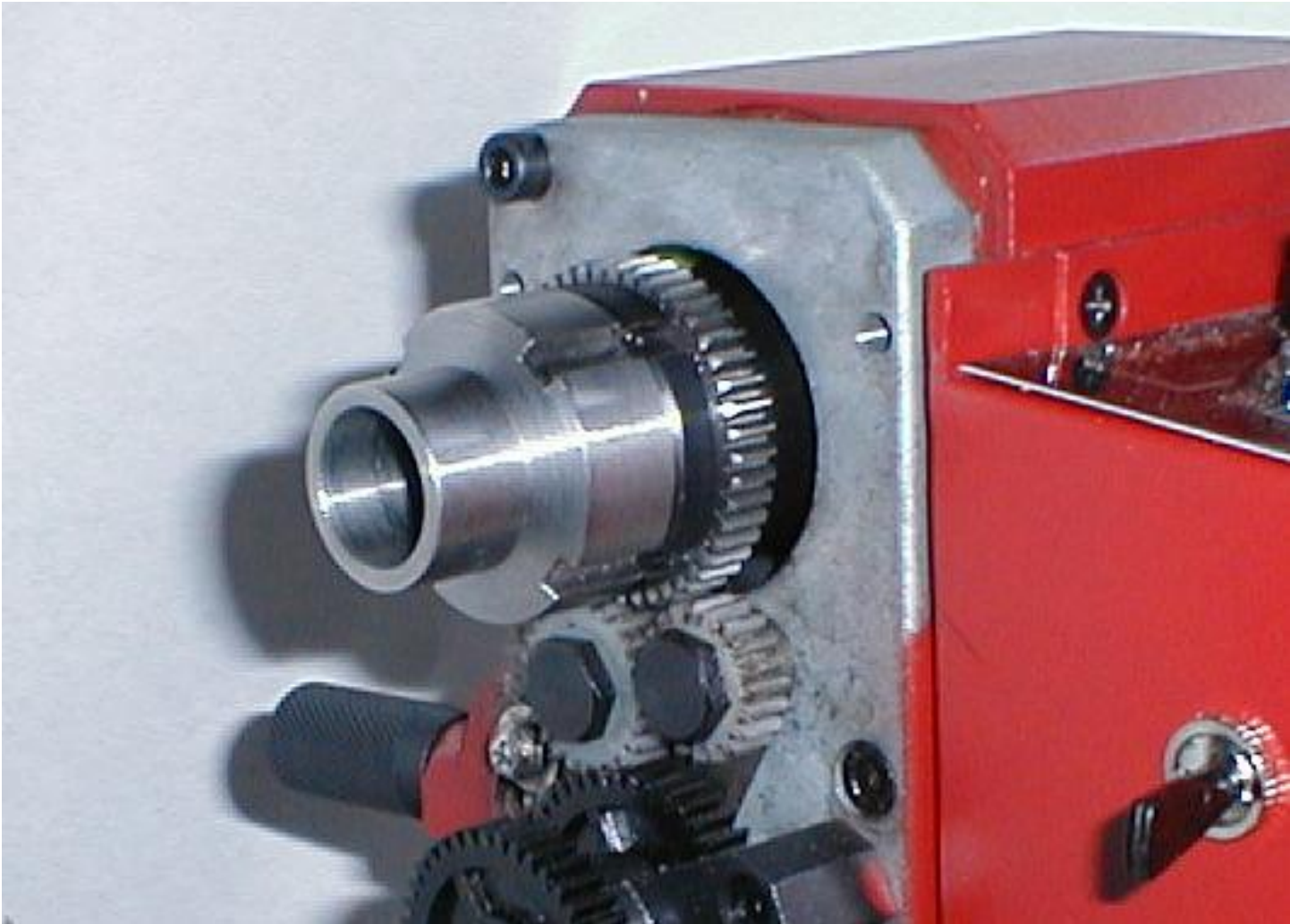
ANGLES \pm .10°

SURFACE FINISH: RMS32

BREAK EDGES .01, FILLETS .01

PURCHASED PARTS ARE 1 HEX NUT, 1/2-20 UNF
AND 12" OF ALL-THREAD, 1/2-20 UNF









more pdf files available on

www.toolsandmods.com

All ideas, procedures, modifications and whatever is described or shown here is to be used at risk of the reader.

Take care and work safely.