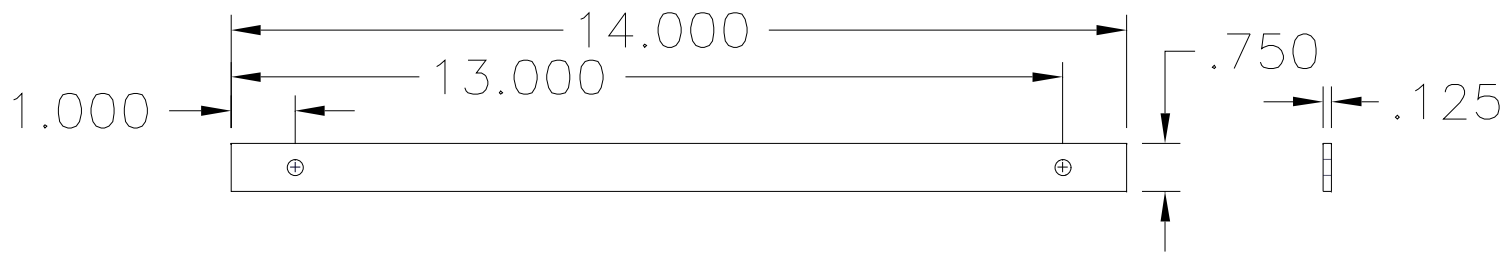


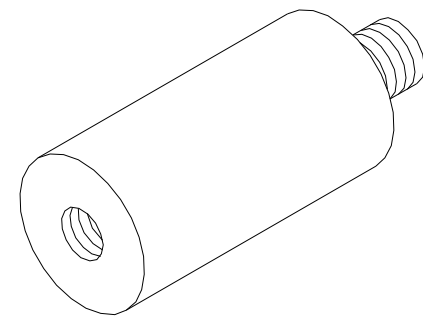
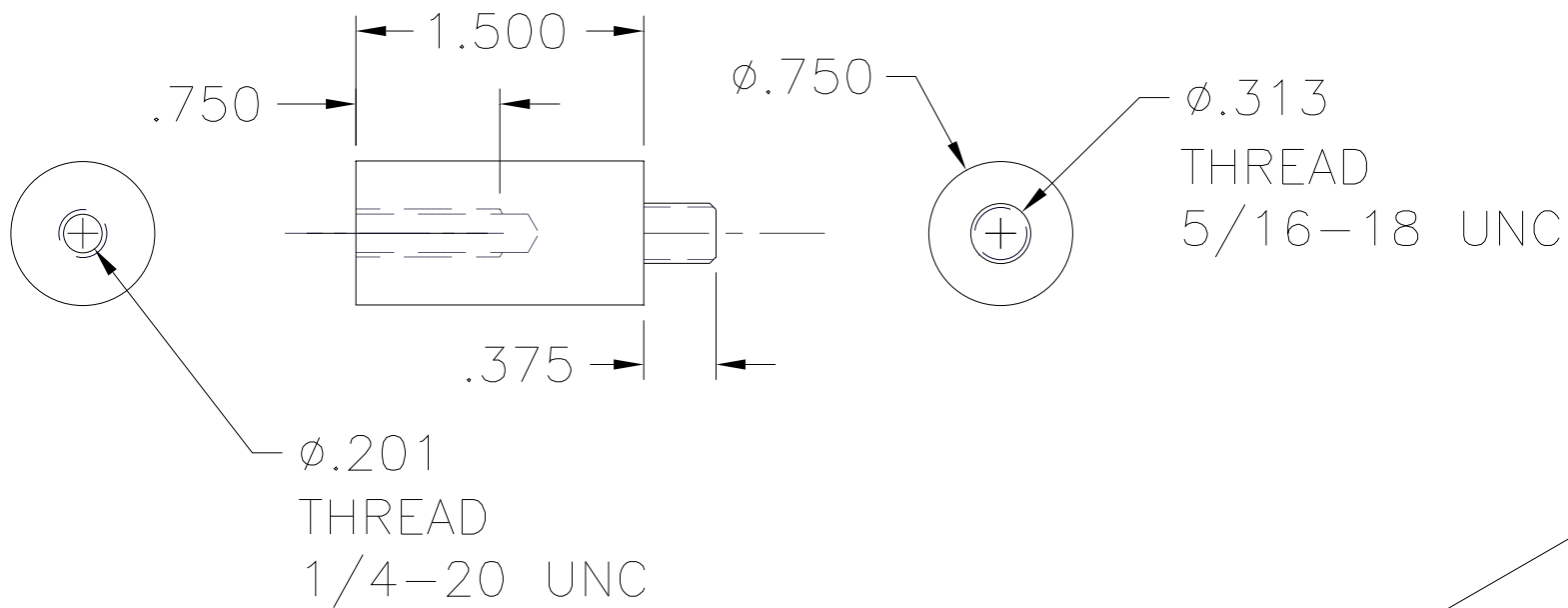
2X Ø.313
 THREAD
 5/16-18 UNC

① LATHE BED
 MODIFICATION

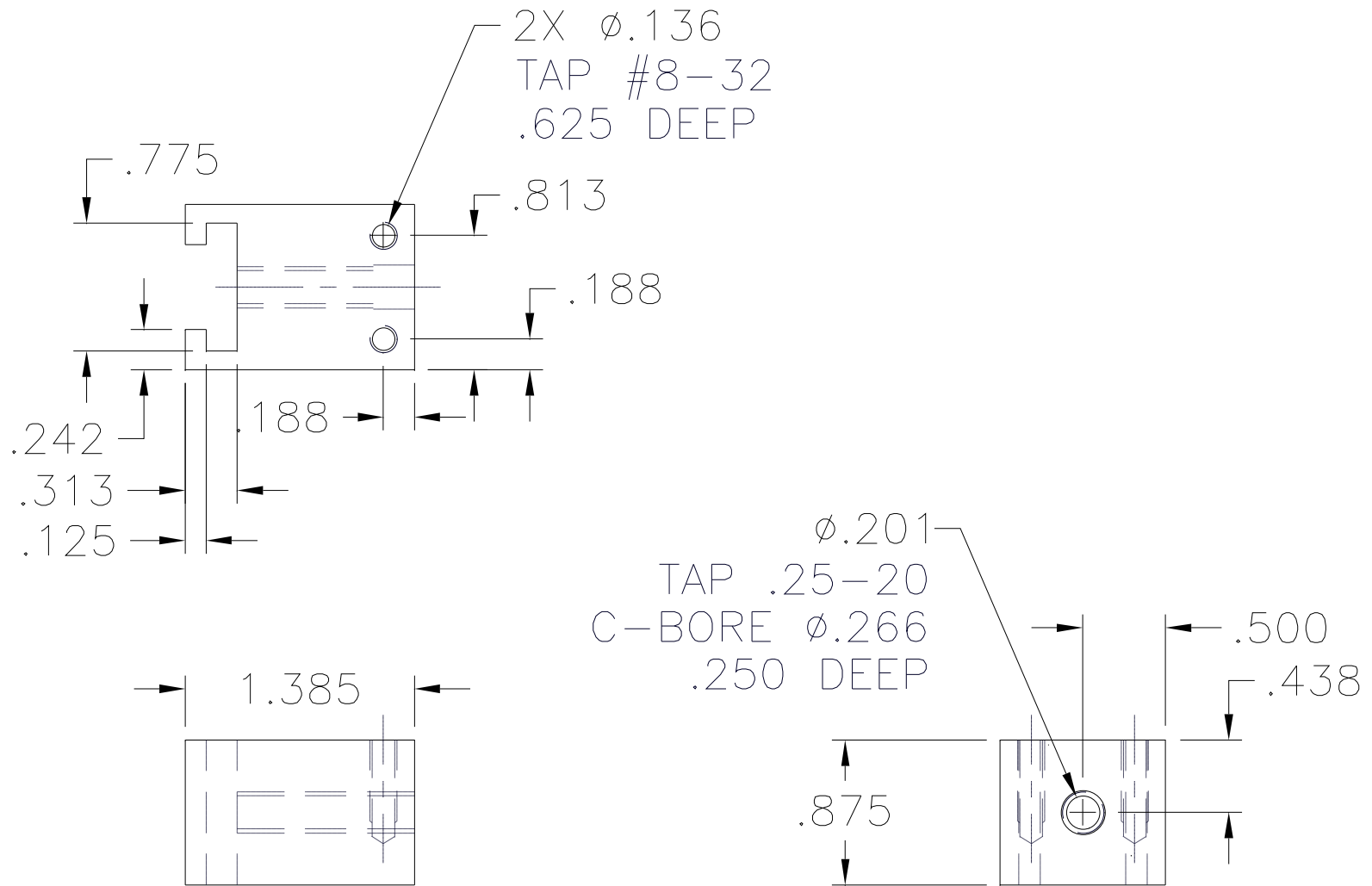
NOTE:
 FOR LATHES OTHER THAN
 7X10, INCREASE DIMS
 TO SUIT LENGTH.



② BAR
 1 REQUIRED
 MAT'L: CRS



3 STANDOFF
2 REQUIRED
MAT'L: CRS

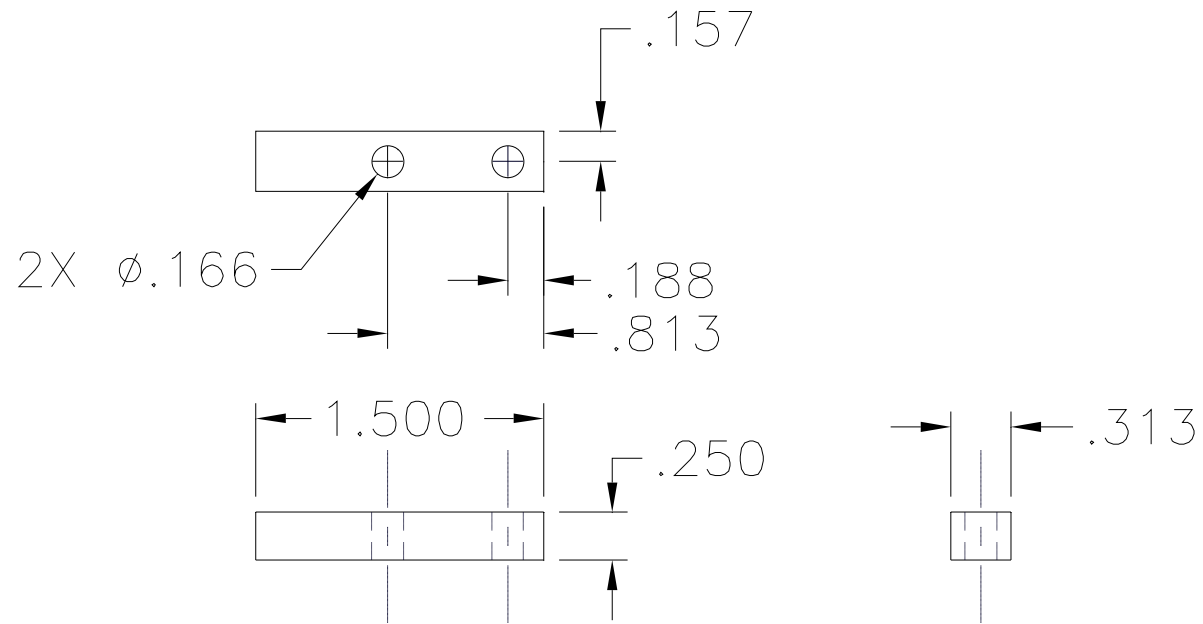


4

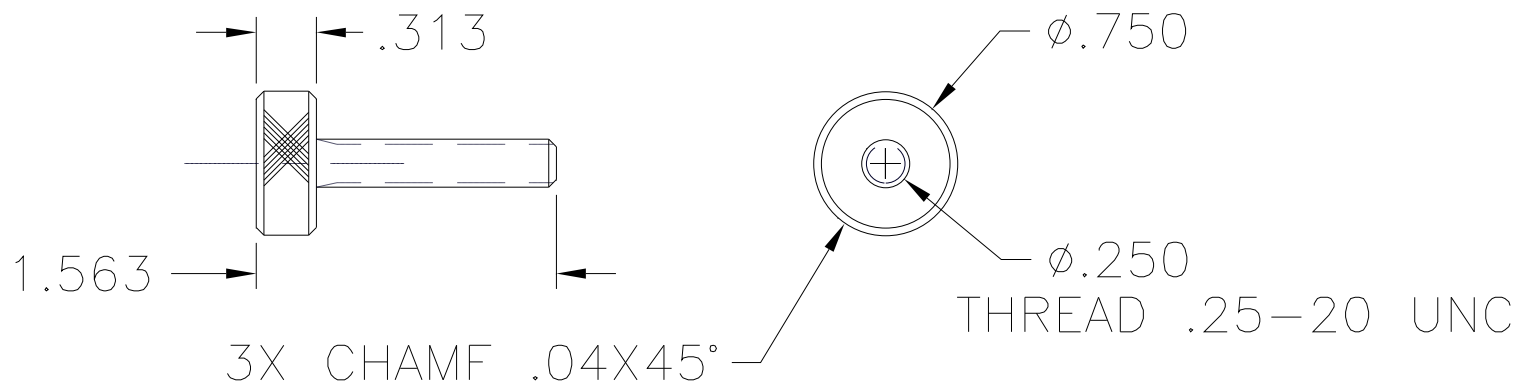
SLIDER BLOCK

1 REQUIRED

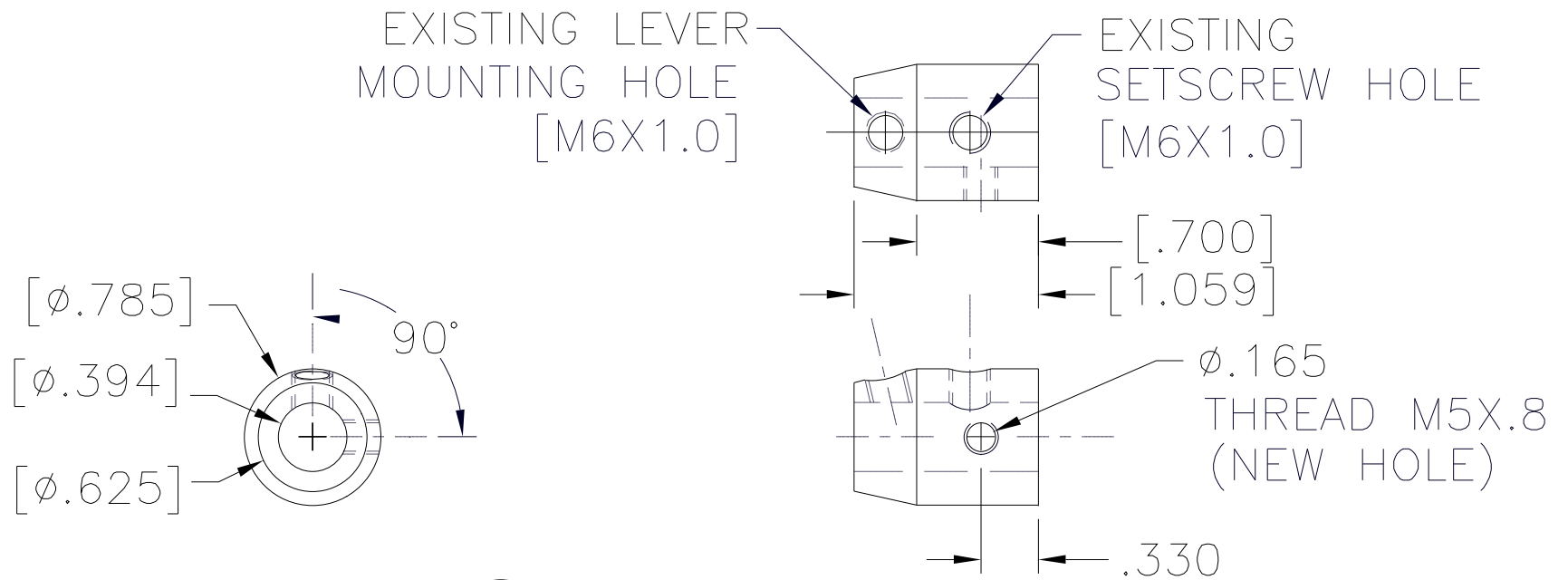
MAT'L: ALUM 6061-T6



(5) POST
 1 REQUIRED
 MAT'L: ALUM 6061-T6



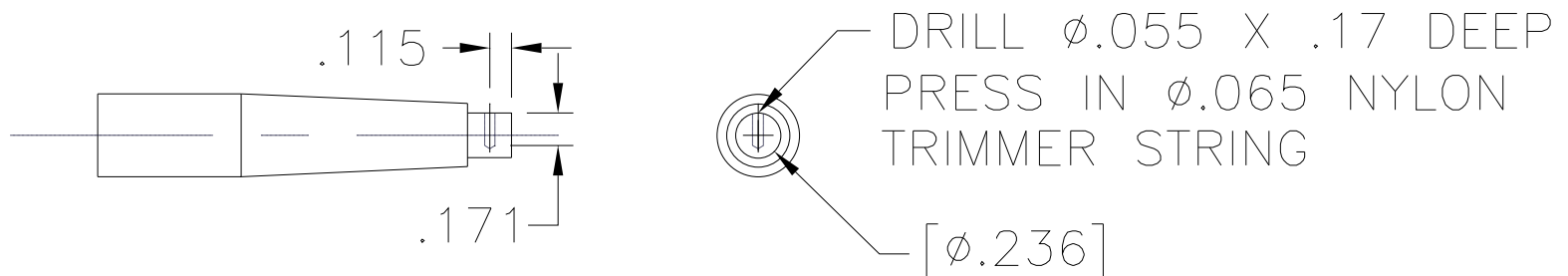
⑥ THUMBSCREW
 1 REQUIRED
 MAT'L: BRASS



NOTE:

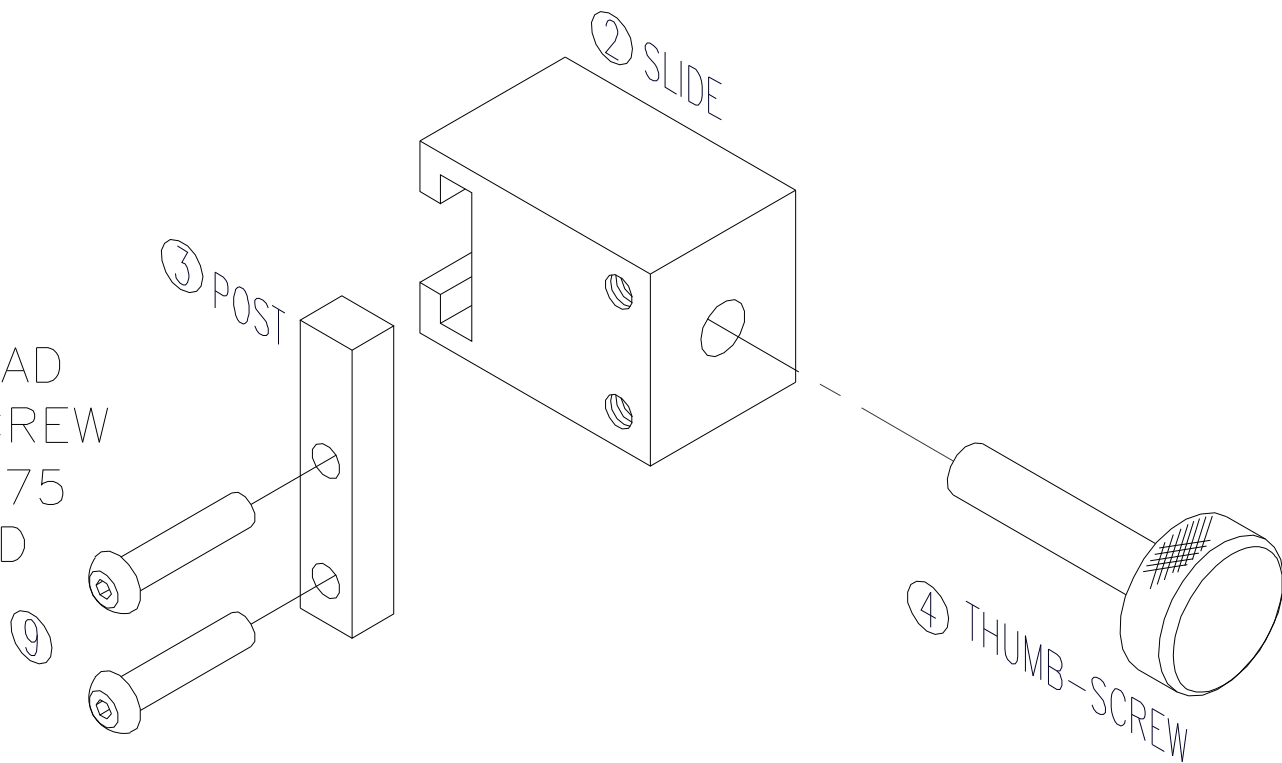
[*] SHOWS DIMENSION OF EXISTING PART

7 HALF-NUT LEVER HUB
MODIFICATION

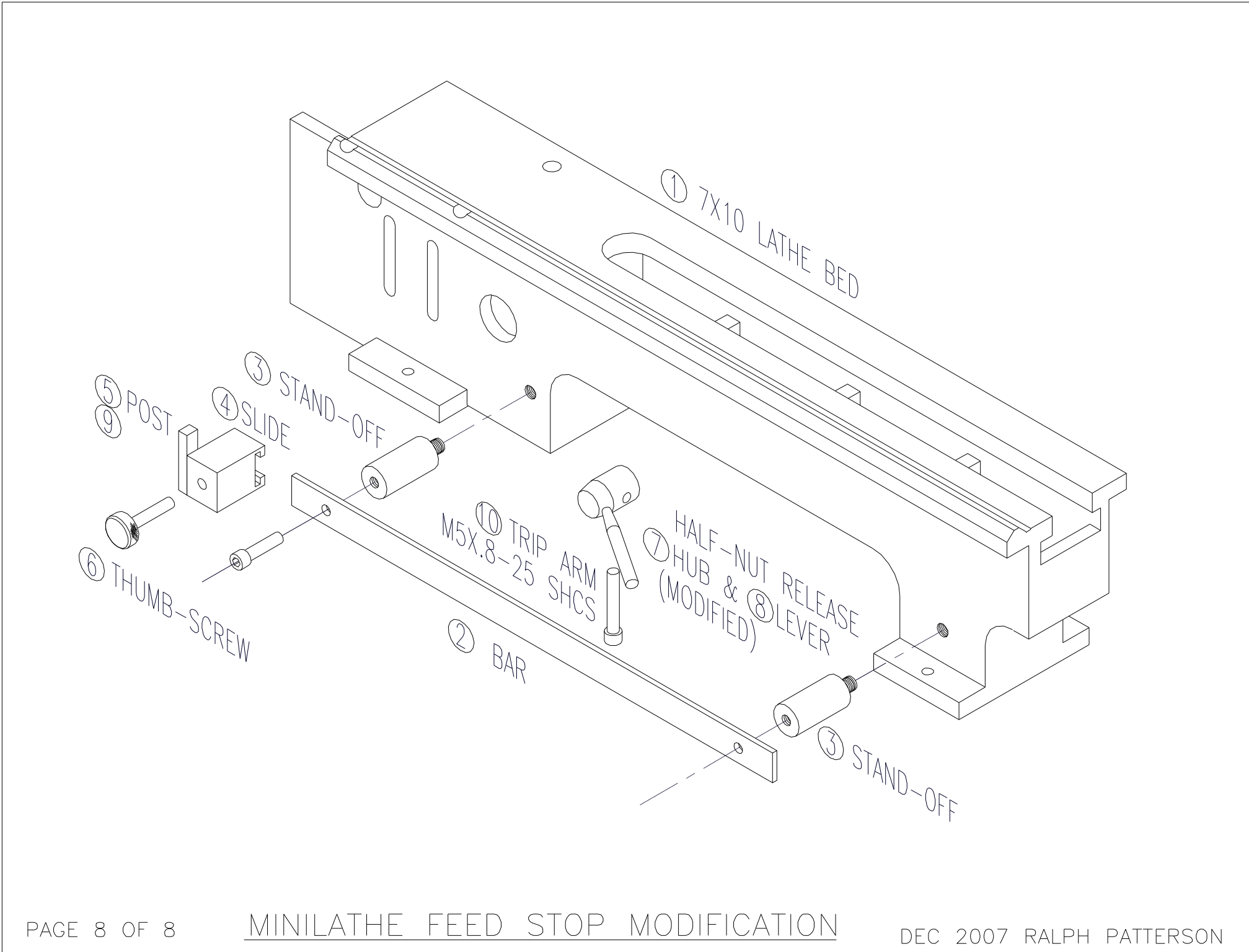


8 LEVER ARM
MODIFICATION

BUTTON HEAD
SOCKET SCREW
#8-32 X .75
2 REQUIRED



ASSEMBLY
SLIDER BLOCK

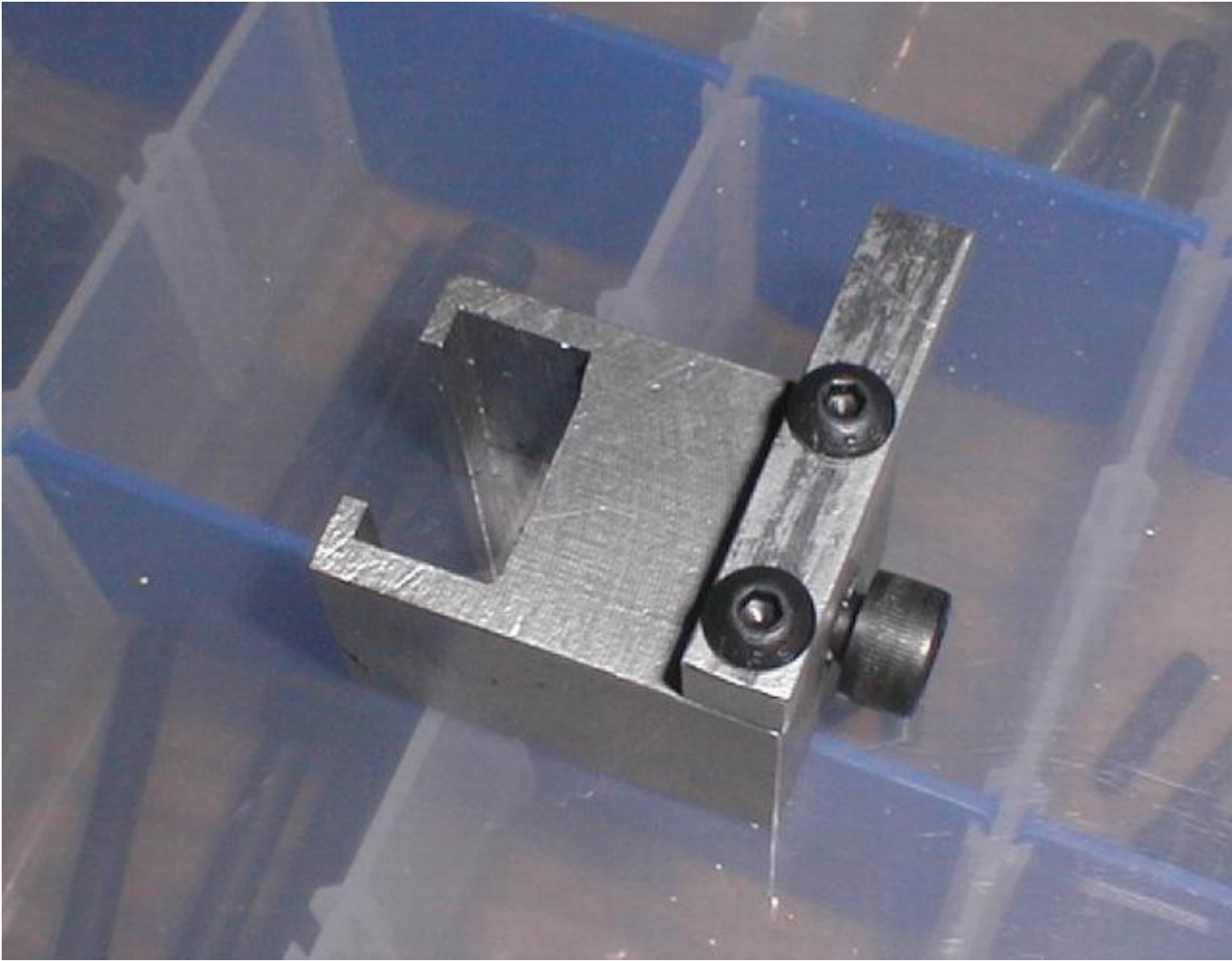


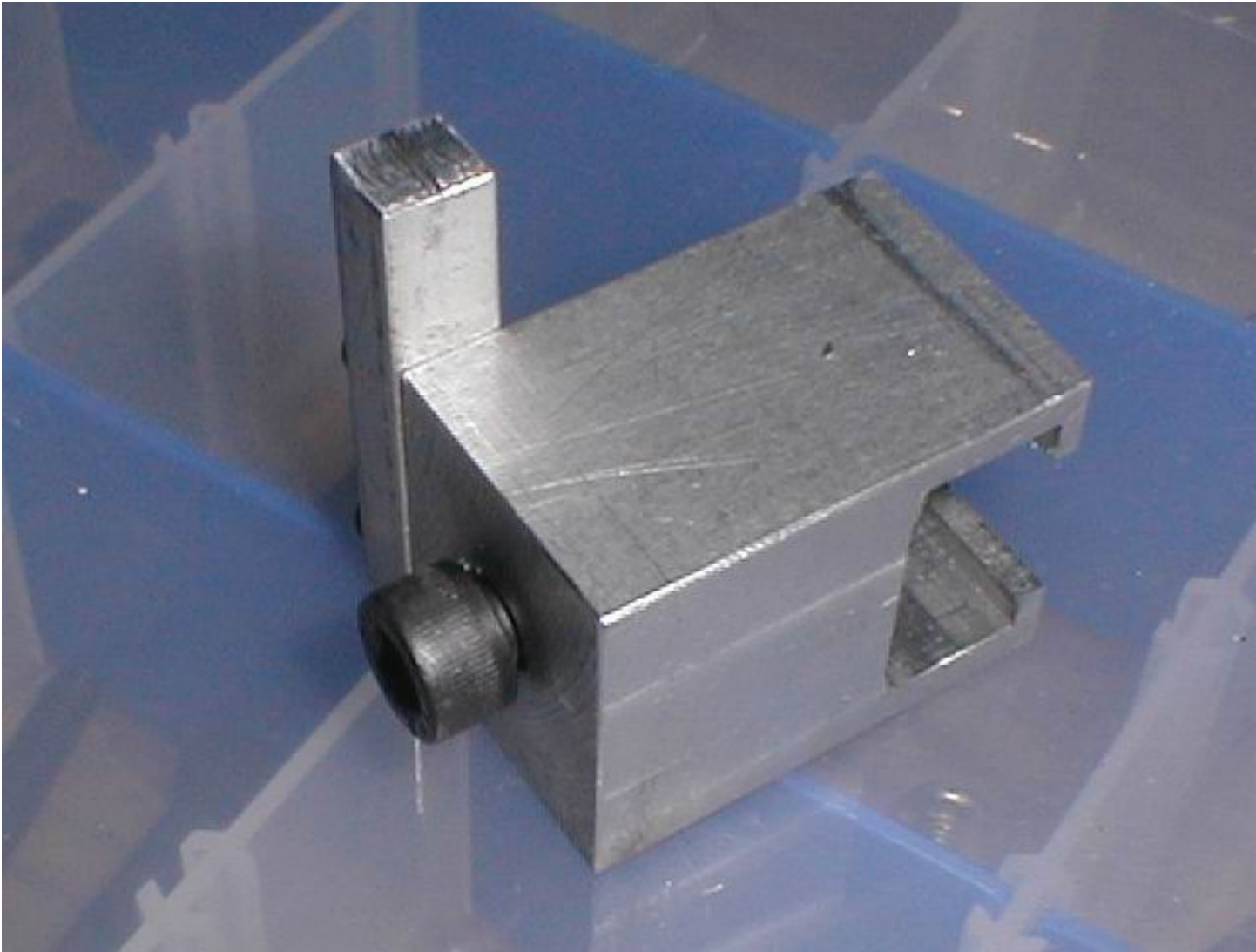
















more pdf files available on

www.toolsandmods.com

All ideas, procedures, modifications and whatever is described or shown here is to be used at risk of the reader.

Take care and work safely.