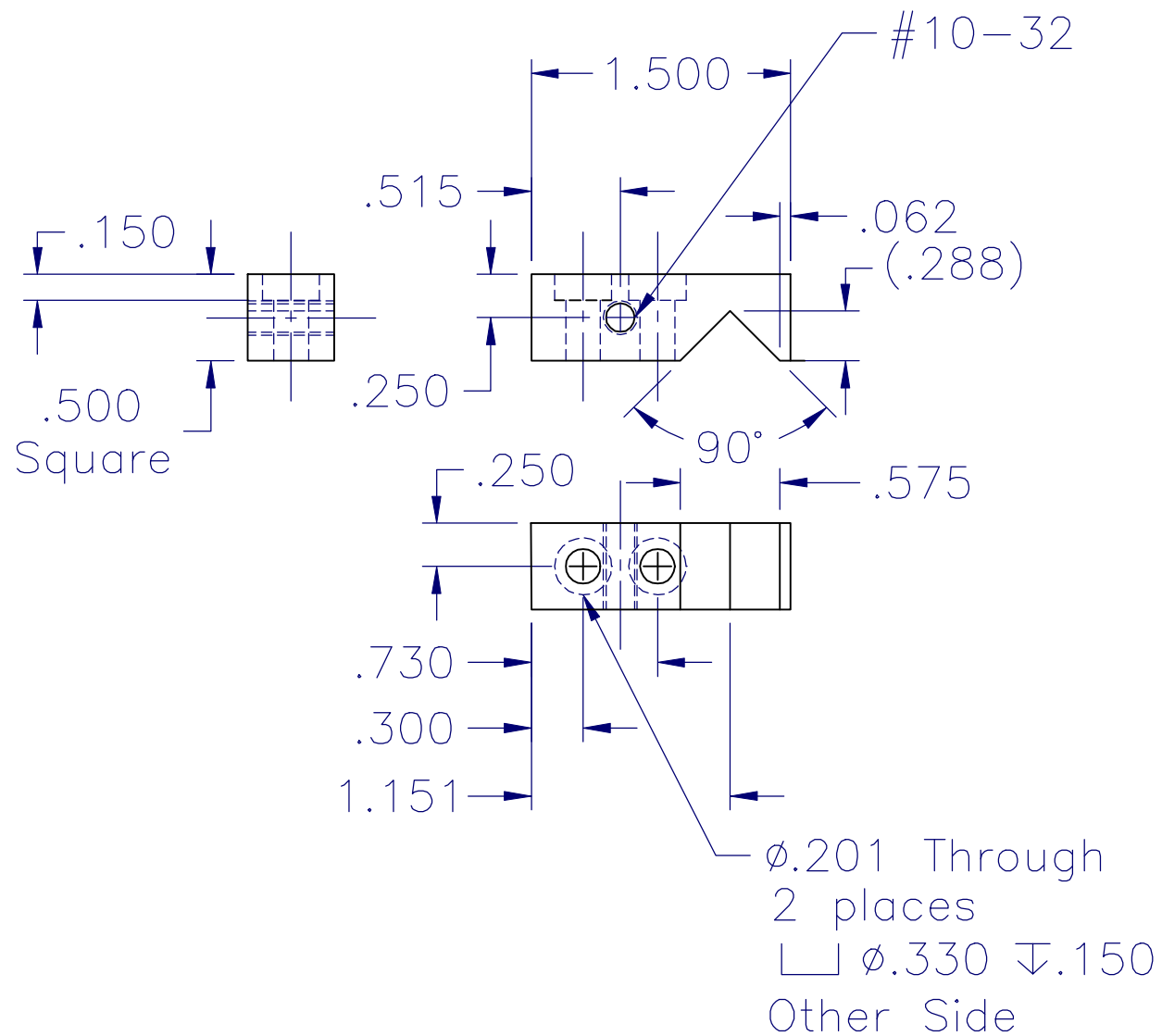
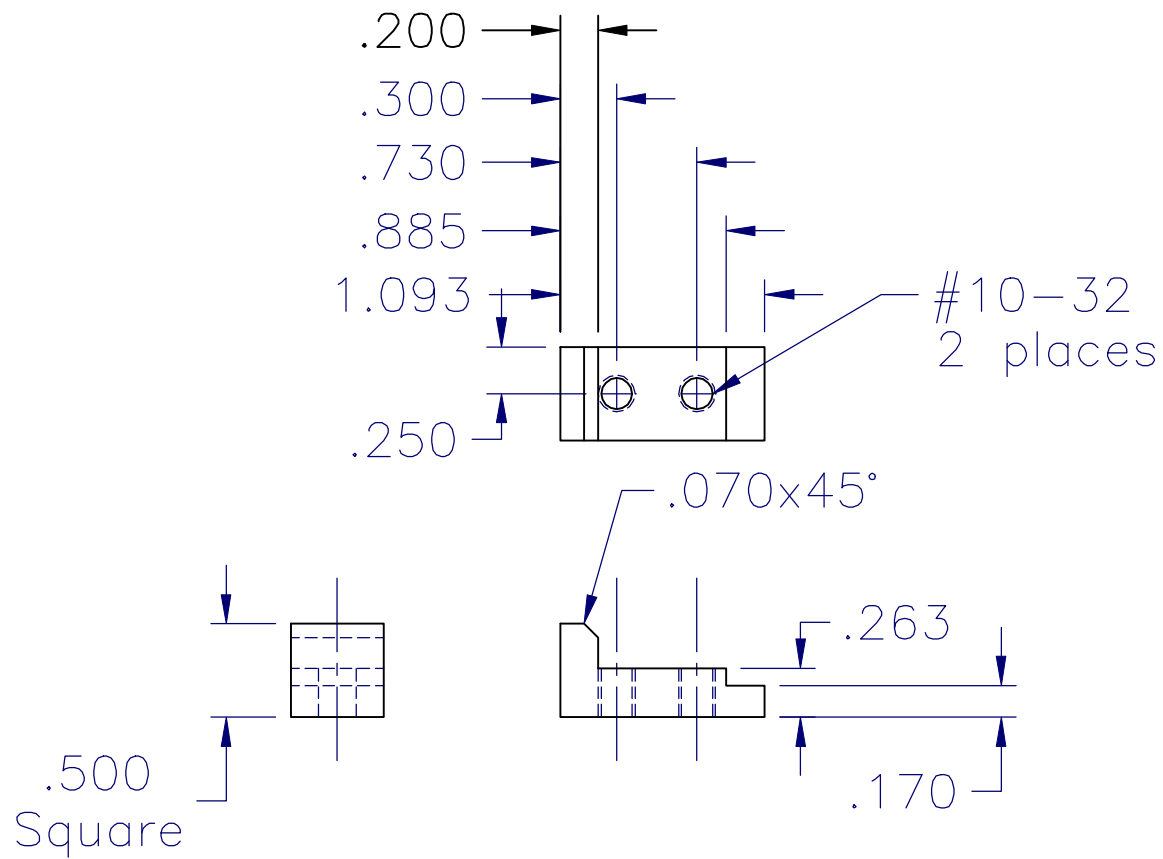


Insert screw on either side of body, to create a left-hand or right-hand stop assembly.

ASSEMBLY, EXPLODED
Carriage Stop Clamp
CRS Bar Stock

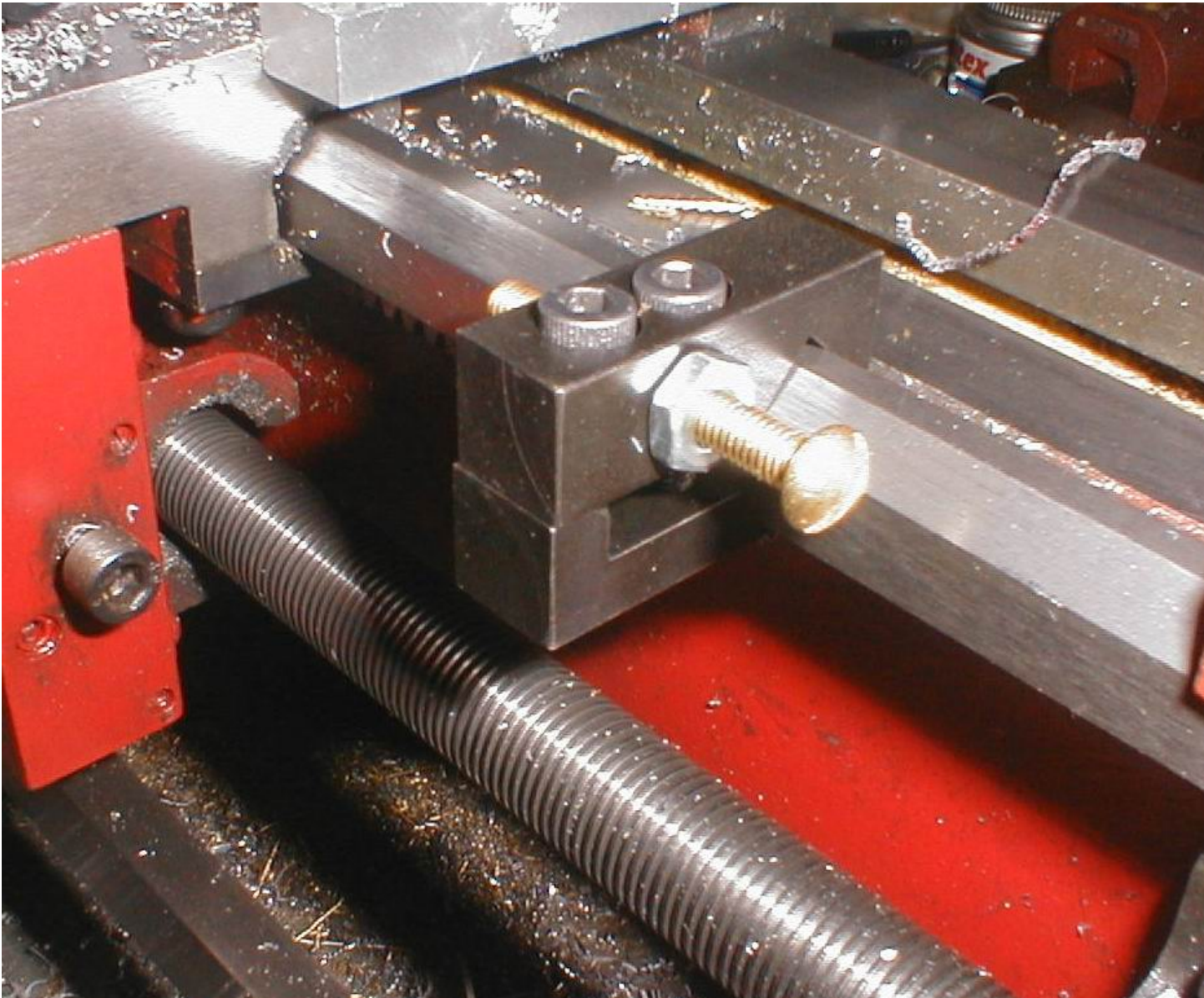


① Carriage Stop Clamp
Upper Bar – Details



② Carriage Stop Clamp
Lower Bar – Details





more pdf files available on

www.toolsandmods.com

All ideas, procedures, modifications and whatever is described or shown here is to be used at risk of the reader.

Take care and work safely.