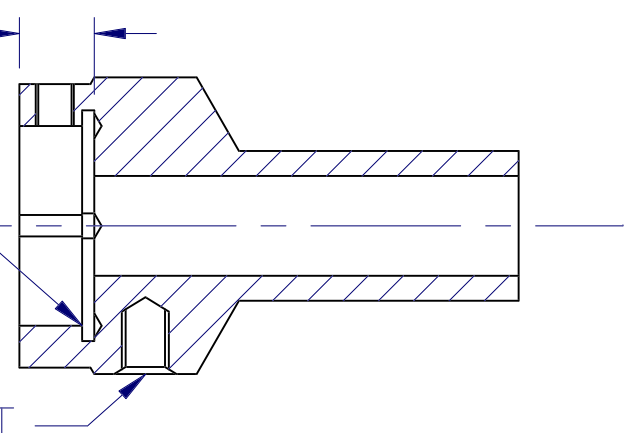
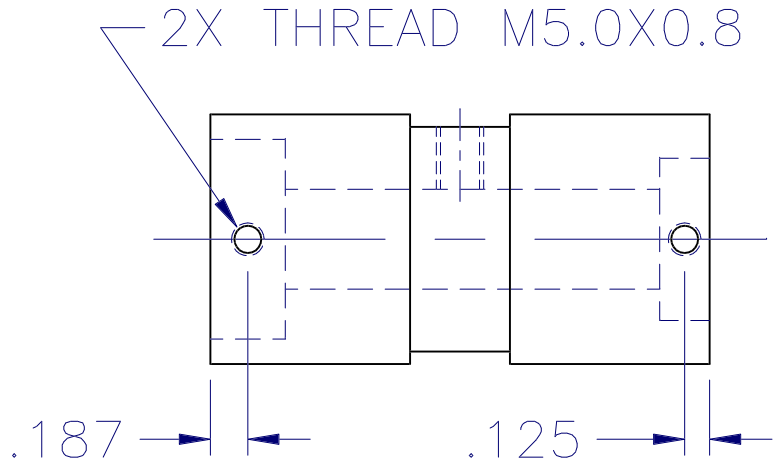
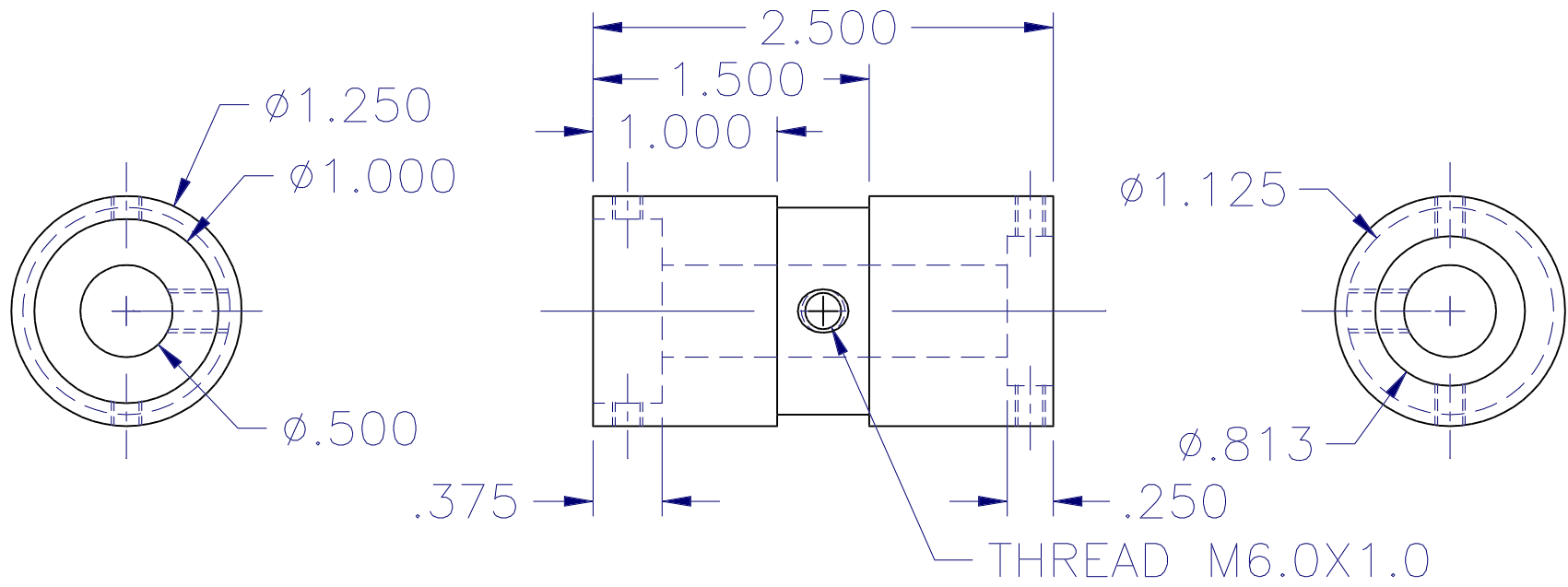


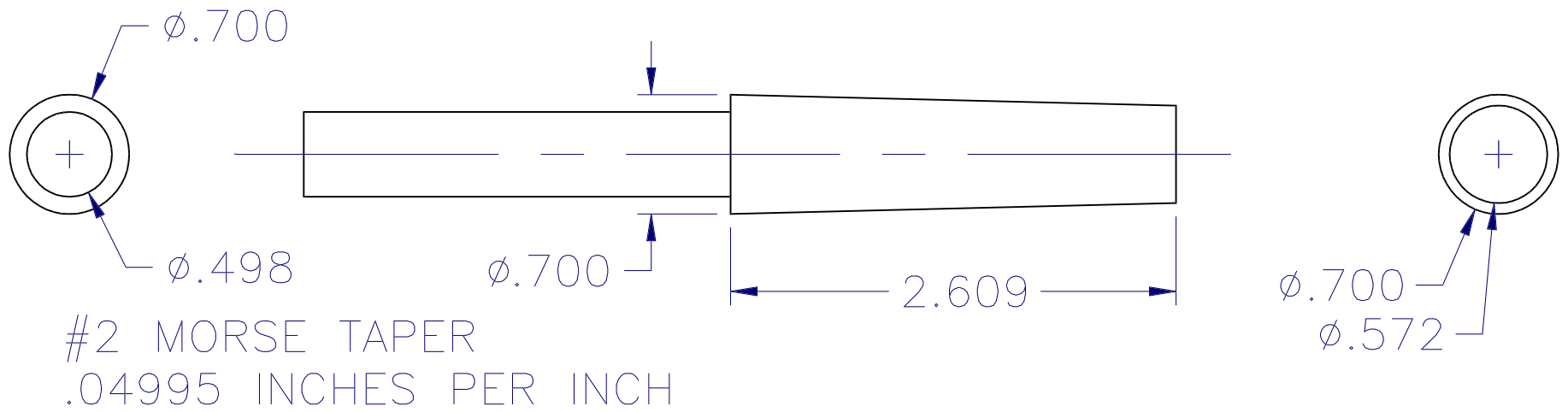
CUT HEX RECESS .375 DEEP

UNDERCUT .063  
 BY .04 WIDE

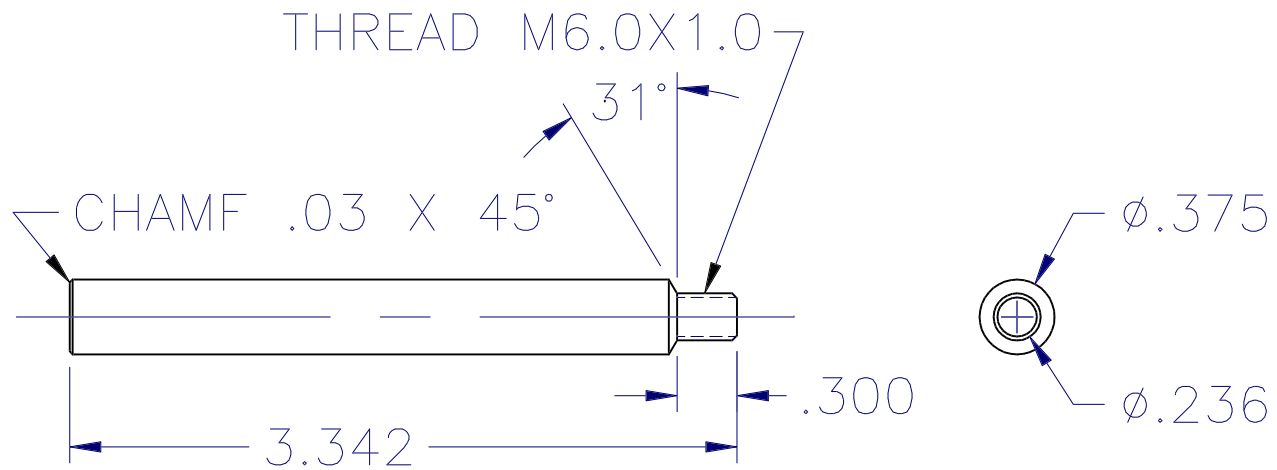




ROUND DIE HOLDER (2 SIZES)  
DETAIL



ARBOR, MT2  
DETAIL



ARM  
DETAIL

















more pdf files available on

[www.toolsandmods.com](http://www.toolsandmods.com)

All ideas, procedures, modifications and whatever is described or shown here is to be used at risk of the reader.

Take care and work safely.