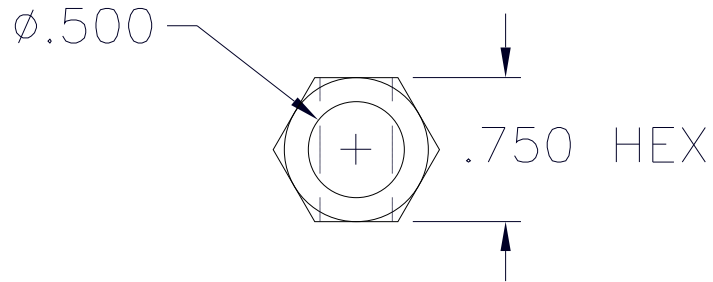
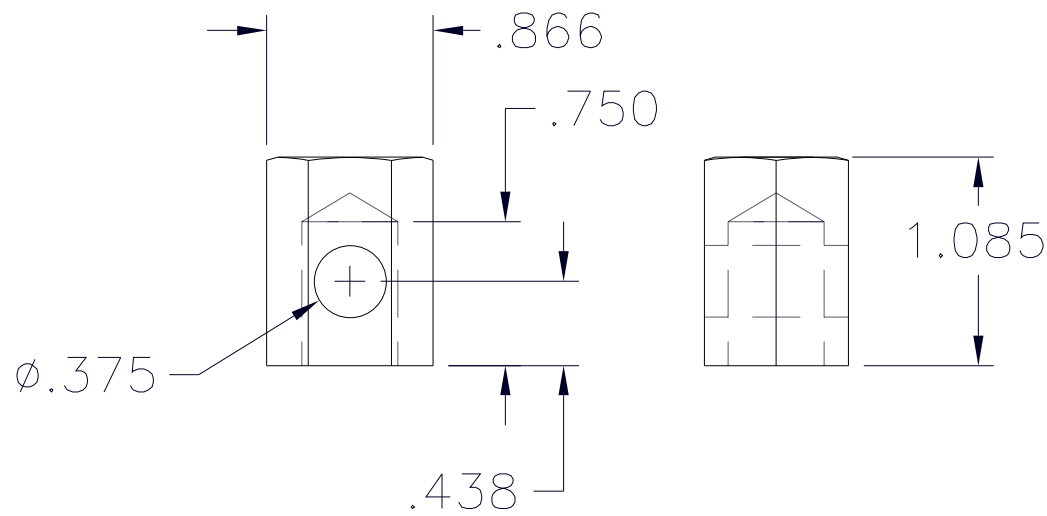
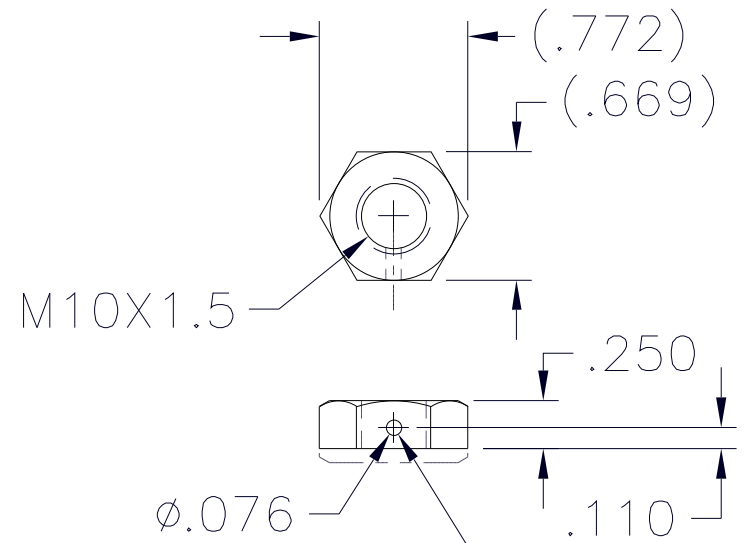


VERSION 1
LEVER LOCATED ON
FRONT OF TS ASSEMBLY

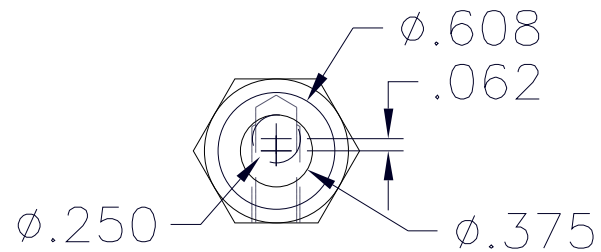
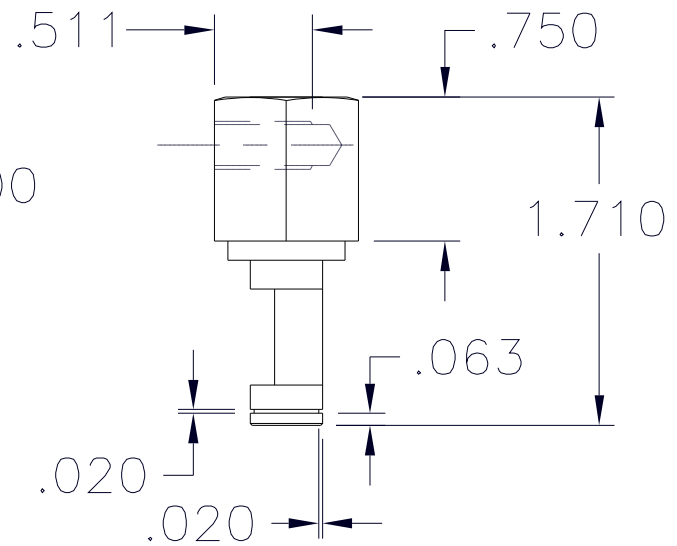
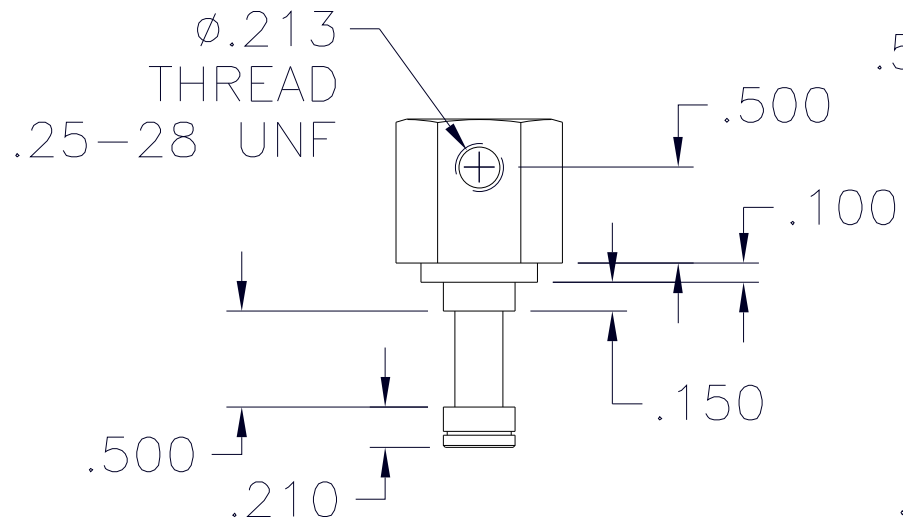


③ BODY
 303 STAINLESS STEEL
 1 REQUIRED

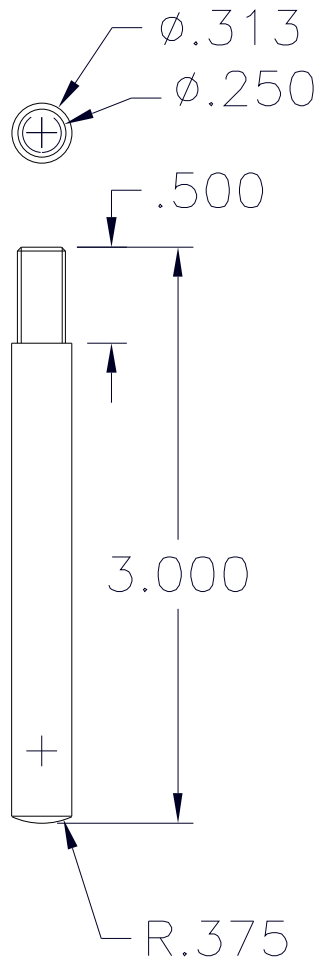


M10X1.5
 PRESS IN PIECE
 OF .08 STRING
 TRIMMER LINE
 STAKE OUTSIDE
 FACE OF NUT

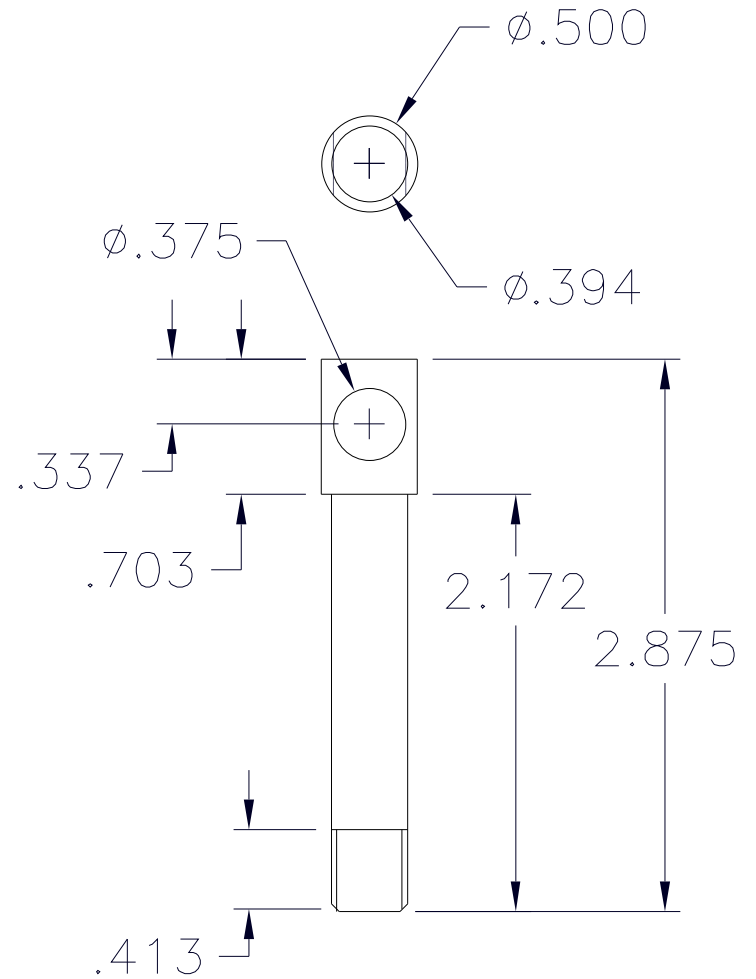
⑥ NUT
 (MODIFIED)
 STAINLESS STEEL
 1 REQUIRED



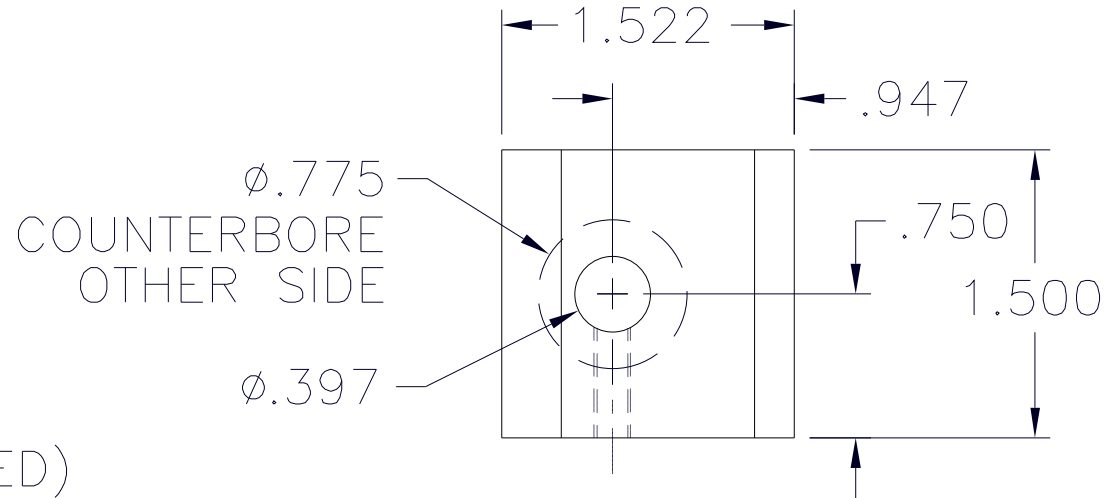
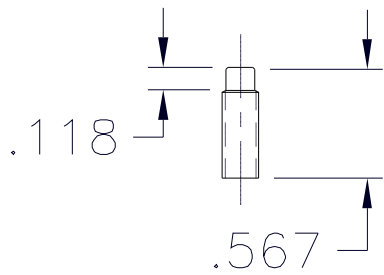
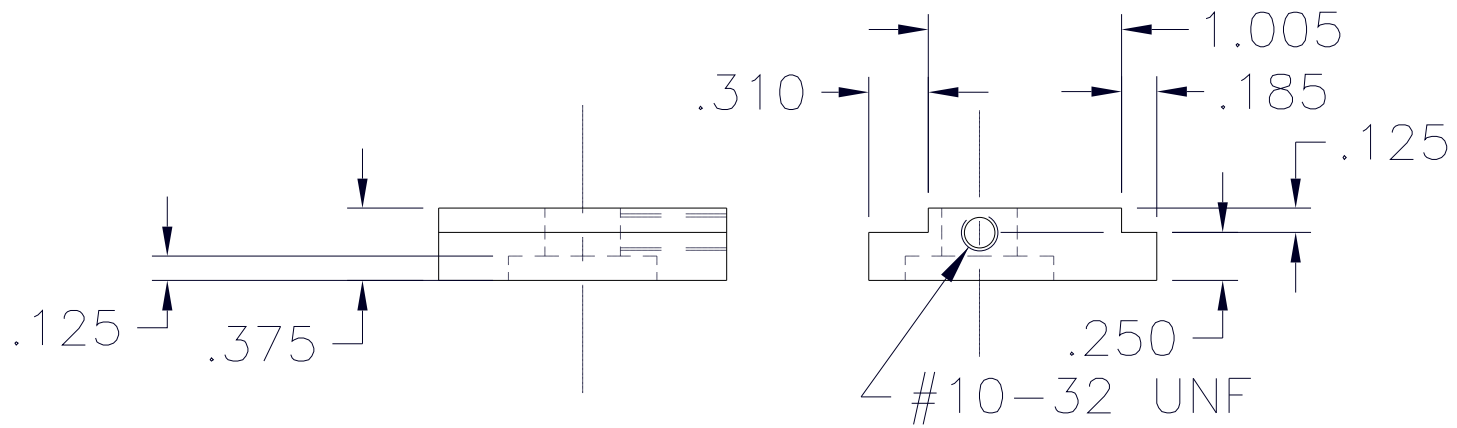
(4) CAM
 303 STAINLESS STEEL
 1 REQUIRED



⑤ LEVER ARM
 303 STAINLESS STEEL
 1 REQUIRED

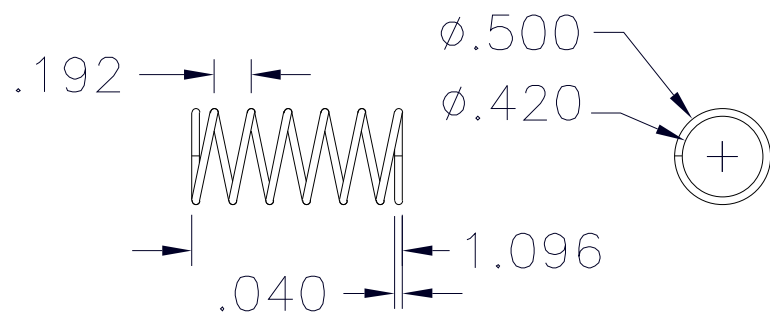


② POST
 303 STAINLESS STEEL
 1 REQUIRED

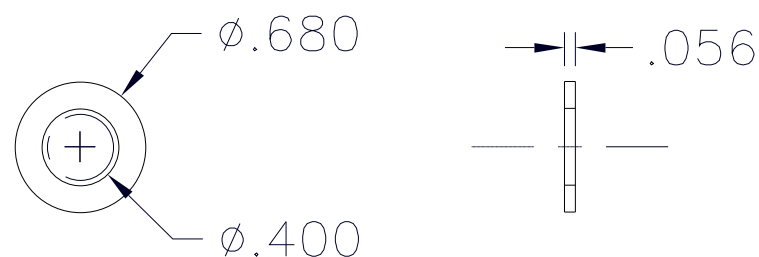


⑨ SETSCREW (MODIFIED)
 DOG POINT
 1 REQUIRED
 MAKE FROM 5/8"
 SOCKET SET SCREW

① CLAMP
 COLD ROLL STEEL
 1 REQUIRED



EASY FIT WITH PC 2



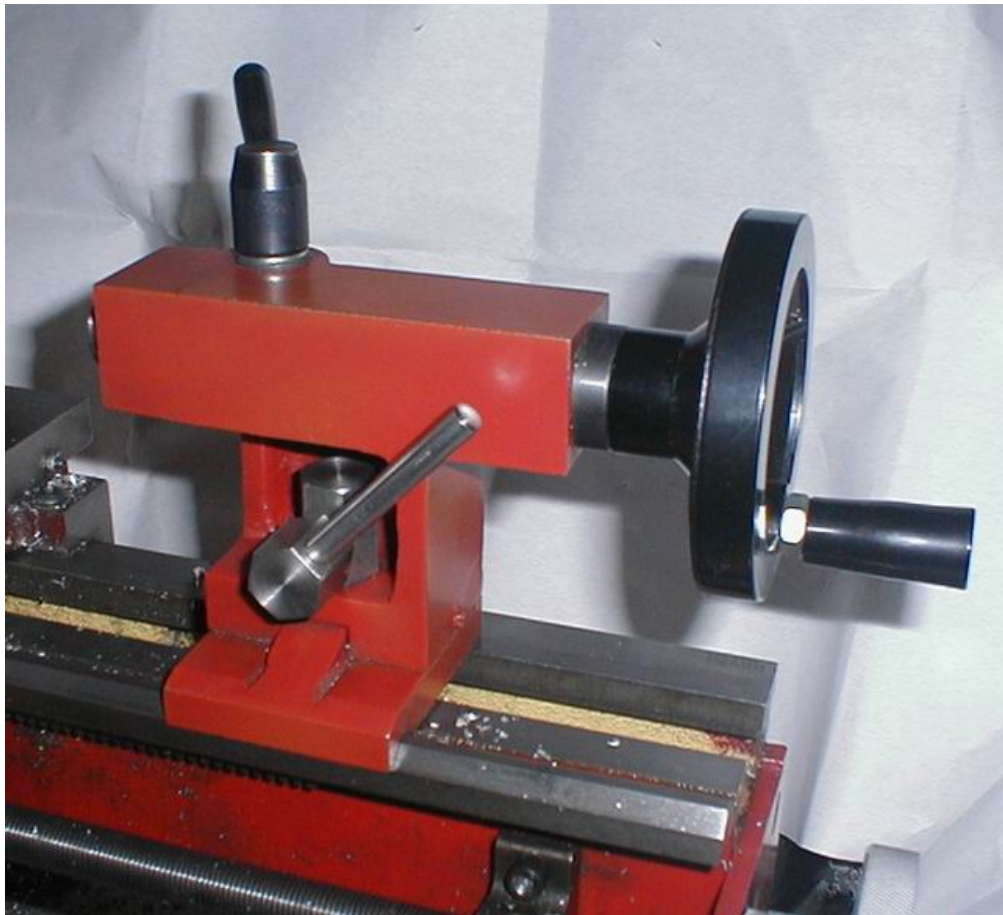
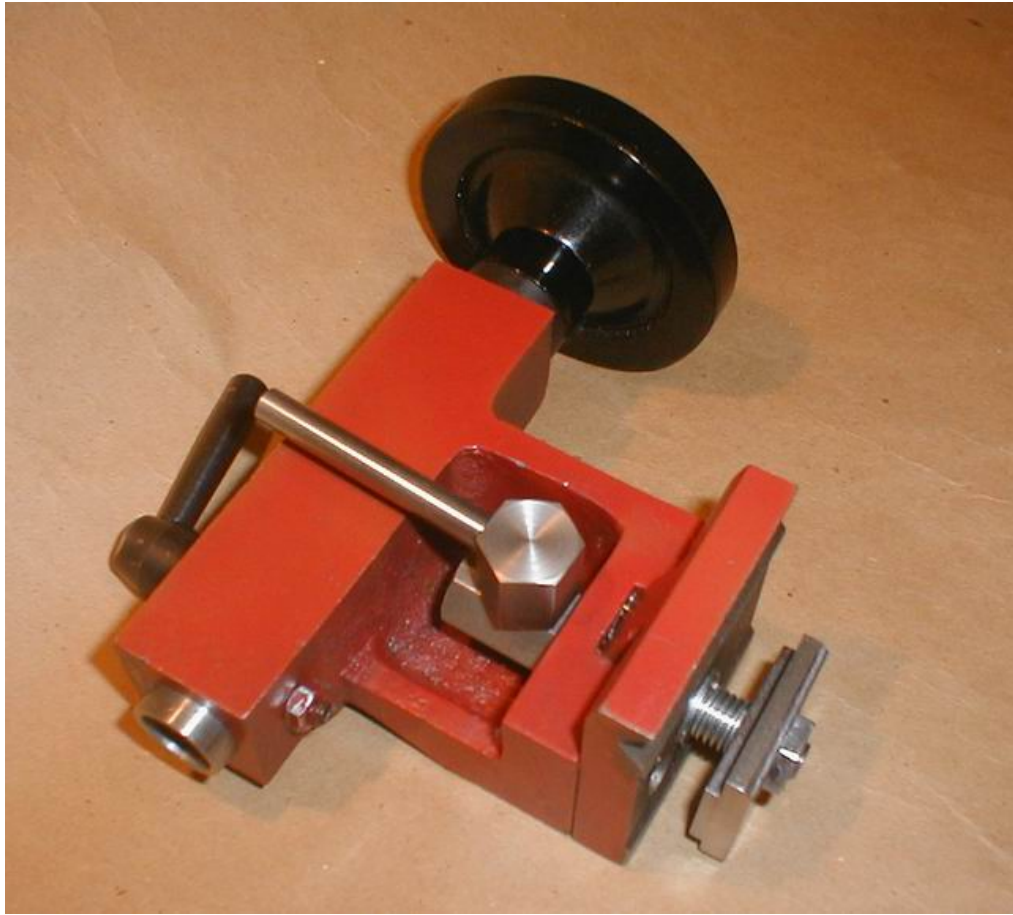
CLOSE FIT TO PC 2

NOTE:
CHECK LENGTH WHEN INSTALLED
AVOID COIL-BIND WHEN CAM IS
ACTUATED

- ⑦ SPRING, FOOTPLATE
6 TURNS
CLOSED ENDS
1 REQUIRED

- ⑧ WASHER (MODIFIED)
FROM 5/16" FW
1 REQUIRED





more pdf files available on

www.toolsandmods.com

All ideas, procedures, modifications and whatever is described or shown here is to be used at risk of the reader.

Take care and work safely.